

**Honeywell**

# **CT4x Series Universal and Booted Accessories**

---

**User Guide**

---

## Disclaimer

Honeywell International Inc. (“HII”) reserves the right to make changes in specifications and other information contained in this document without prior notice, and the reader should in all cases consult HII to determine whether any such changes have been made. The information in this publication does not represent a commitment on the part of HII.

HII shall not be liable for technical or editorial errors or omissions contained herein; nor for incidental or consequential damages resulting from the furnishing, performance, or use of this material. HII disclaims all responsibility for the selection and use of software and/or hardware to achieve intended results.

This document contains proprietary information that is protected by copyright. All rights are reserved. No part of this document may be photocopied, reproduced, or translated into another language without the prior written consent of HII.

Copyright © 2021 Honeywell International Inc. All rights reserved.

Web Address: [sps.honeywell.com](https://sps.honeywell.com)

## Trademarks

Other product names mentioned in this manual may be trademarks or registered trademarks of their respective companies and are the property of their respective owners.

## Patents

For patent information, see [www.hsmpats.com](https://www.hsmpats.com).

# TABLE OF CONTENTS

Customer Support .....	v
Technical Assistance .....	v
Product Service and Repair .....	v
Limited Warranty .....	v
<b>Chapter 1 - Introduction .....</b>	<b>1</b>
List of Universal and Booted Accessories .....	2
Agency Models.....	3
<b>Chapter 2 - Protective Boot.....</b>	<b>5</b>
Out of the Box.....	5
Attach the Protective Boot.....	5
Remove Protective Boot.....	6
<b>Chapter 3 - Scan Handle .....</b>	<b>9</b>
Features .....	9
Out of the Box .....	10
Attach Scan Handle.....	10
CT45-SH-UVN .....	10
CT40-SH-PB and CT45-SH-UVB .....	11
Scan a Bar Code.....	11
Remove Scan Handle.....	12
CT45-SH-UVN .....	12
CT40-SH-PB and CT45-SH-UVB .....	13

<b>Chapter 4 - Home Base and Ethernet Home Base .....</b>	<b>15</b>
Features.....	15
Out of the Box.....	16
Connect Power.....	16
Charge the Battery Pack .....	17
Status LED.....	18
Mount the Home Base.....	18
<b>Chapter 5 - Charge Base and Ethernet Base.....</b>	<b>19</b>
Features.....	19
Out of the Box.....	20
Connect Power.....	20
Charge the Battery Pack .....	21
Mount the Charge Base or Net Base.....	21
<b>Chapter 6 - 5-Bay Charge Base .....</b>	<b>23</b>
Features.....	23
Out of the Box.....	24
Insert the Optional Battery Charger.....	25
Connect Power.....	26
Charge the Battery Pack .....	26
Status LED.....	27
<b>Chapter 7 - Display Dock .....</b>	<b>29</b>
Features.....	29
Out of the Box.....	29
Dock Connectors.....	30
Connect Power .....	30
Connect to Monitor .....	30
Connect to an Ethernet Network.....	30
Connect to an USB Device.....	30
Status LED.....	31
Check Software on Computer .....	31

Install DisplayLink Software .....	31
Download the APK.....	31
Install the Software .....	32
Insert Computer into the Dock .....	33
Configure the Display Dock Settings .....	33
Set Display Dock Settings .....	33
Set Monitor Settings .....	34
Set Peripheral Settings.....	34
Set Mode Settings .....	34
Connected Devices.....	35
Monitor Connections .....	35
USB Devices.....	35
Clean the Dock.....	35
Mount the Display Dock.....	35

## **Chapter 8 - Universal Cups.....37**

Out of the Box.....	37
Replacing a Universal Cup .....	38

## **Chapter 9 - Snap-On USB Adapter .....41**

Features .....	41
Out of the Box.....	41
Connect Power .....	42
Charge the Battery Pack.....	42
Charge from a USB port on a Host Device .....	42
Charge with Optional Wall Charger (50130570-001).....	43

## **Chapter 10 - Vehicle Dock.....45**

Features .....	45
Out of the Box.....	46
Connect Power .....	46
Charge the Battery Pack.....	48
Mount the Vehicle Dock .....	49

About the Phone..... 49  
Remove Computer from Vehicle Dock..... 49  
About Near Field Communication (NFC)..... 50  
    Honeywell OBD Connector..... 50

# Customer Support

## Technical Assistance

Go to [sps.honeywell.com](https://sps.honeywell.com), and then select **Support > Productivity** to find a host of options to help you quickly find the support you need and/or who to contact.

## Product Service and Repair

Honeywell International Inc. provides service for all of its products through service centers throughout the world. Go to [sps.honeywell.com](https://sps.honeywell.com), and then select **Support** to find a service center near you or to get a Return Material Authorization number (RMA #) before returning a product.

## Limited Warranty

For warranty information, go to [sps.honeywell.com](https://sps.honeywell.com) and select **Support > Warranties**.





# INTRODUCTION

Honeywell offers a full range of universal and boot-compatible accessories for the CT40, CT40XP, and CT45 mobile computers, including:

- Protective Boots ([page 5](#))
- Scan Handles ([page 9](#))
- Home Bases and Ethernet Bases for one device and one battery ([page 15](#))
- Charge and Ethernet Bases for up to four devices ([page 19](#))
- 5-Bay Charge Bases with an optional battery charger ([page 23](#))
- Display Docks ([page 29](#))
- Replacement Cups for Universal Bases ([page 37](#))
- Snap-on USB Adapters ([page 41](#))
- Vehicle Docks ([page 45](#))

**Note:** *Throughout this manual, all versions of the mobile device are referred to as the computer unless information is specific to a particular model.*



**Caution:** We recommend the use of Honeywell accessories and power adapters. Use of any non-Honeywell accessories or power adapters may cause damage not covered by the warranty.

**Mise en garde :** Il est recommandé d'utiliser les périphériques, les cordons d'alimentation et les adaptateurs secteur conçus par Honeywell. L'utilisation de tout périphérique, cordon d'alimentation ou adaptateur secteur d'une autre marque est susceptible de provoquer des dommages non couverts par la garantie.



**Caution:** Make sure that all components are dry prior to using the computers and batteries with accessories. Using wet components may cause damage not covered by the warranty.

**Mise en garde :** Assurez-vous que tous les composants sont secs avant de connecter les terminaux/batteries à des périphériques. L'insertion de composants humides risque de provoquer des dommages non couverts par la garantie.

## List of Universal and Booted Accessories

**Note:** For information on CT40/CT45 RFID Bracket options for your Honeywell RFID reader, refer to the RFID reader user guide. Product documentation is available for download at [sps.honeywell.com](http://sps.honeywell.com).

Accessory	Part Number	Use With
<b>Protective Boot</b>	CT40-PB-00	CT40
	CT40-PB-XP	CT40/CT40XP
	CT45-PB-x	CT45/CT45XP
<b>Booted Scan Handle</b>	CT40-SH-PB	CT40/CT40XP with boot
<b>CT45 Universal Scan Handle</b>	CT45-SH-UVN	CT45/CT45XP without boot
	CT45-SH-UVB	CT45/CT45XP with boot
<b>Universal Home Base</b>	CT40-HB-UVN	CT40/CT40XP/CT45/CT45XP without boot
	CT40-HB-UVB	CT40/CT40XP/CT45/CT45XP with boot
<b>Universal Ethernet Home Base</b>	CT40-EB-UVN	CT40/CT40XP/CT45/CT45XP without boot
	CT40-EB-UVB	CT40/CT40XP/CT45/CT45XP with boot
<b>Booted Standard Charge Base</b>	CT40-CB-PB	CT40/CT40XP/CT45/CT45XP with boot
<b>Universal Charge Base</b>	CT40-CB-UVN	CT40/CT40XP/CT45/CT45XP without boot
	CT40-CB-UVB	CT40/CT40XP/CT45/CT45XP with boot
<b>Universal 5-Bay Charger</b>	CT45-5CB-UVN	CT40/CT40XP/CT45/CT45XP without boot
	CT45-5CB-UVB	CT40/CT40XP/CT45/CT45XP with boot
<b>Booted Standard Ethernet (Net) Base</b>	CT40-NB-PB	CT40/CT40XP/CT45/CT45XP with boot

Accessory	Part Number	Use With
<b>Universal Ethernet (Net) Base</b>	CT40-NB-UVN	CT40/CT40XP/CT45/CT45XP without boot
	CT40-NB-UVB	CT40/CT40XP/CT45/CT45XP with boot
<b>Universal Display Dock</b>	CT40-DB-UVN	CT40/CT40XP/CT45/CT45XP without boot
	CT40-DB-UVB	CT40/CT40XP/CT45/CT45XP with boot
<b>Universal Cup</b>	CT40-UCP-N	CT40/CT40XP/CT45/CT45XP without boot
	CT40-UCP-B	CT40/CT40XP/CT45/CT45XP with boot
<b>Snap-on USB Adapter</b>	CT40-SN-CNV	CT40/CT40XP with or without boot
	CT45-SN-CNV	CT45/CT45XP with or without boot
<b>Vehicle Dock</b>	CT40-VD-CNV	CT40/CT40XP with or without boot
	CT45-VD-CNV	CT45/CT45XP with or without boot
	CT45-VD-CNV-SPK	CT45/CT45XP with or without boot
x = Kit variations. See product Accessory Guide for additional details.		

**Note:** *The booted accessories in this manual do not accommodate rubber boot CT40-RB-00.*

For a complete list of accessories for your mobile computer and their part numbers see the *Accessory Guide* for your device, available for download at [sps.honeywell.com](http://sps.honeywell.com).

Contact your local sales representative for ordering information.

## Agency Models

CT40-SH, CT40-HB, CT40-EB, CT40-CB, CT40-NB, CT40-DB, CT40-SN, CT40-VD, ME-5bay-CB



# PROTECTIVE BOOT

Honeywell offers the following protective boots:

- CT40-PB-00 for use with a CT40
- CT40-PB-XP for use with a CT40 or CT40XP
- CT45-PB-x for use with a CT45 or CT45XP (x = kit variation)

These boots are available as a stand-alone accessory or part of a kit that includes a scan handle (e.g., CT40-SH-PB, CT45-SH-UVB ).

Honeywell also offers a series of boot-compatible communication and charge accessories that do not require you to remove the protective boot from the device before use.

To learn more, see [List of Universal and Booted Accessories](#) on page 2.

## Out of the Box

Make sure that your shipping box contains the following:

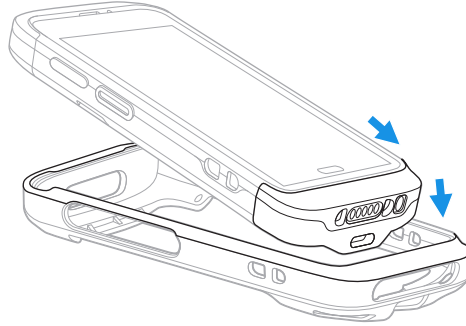
- Protective Boot (CT40-PB-00, CT40-PB-XP or CT45-PB-x)

If any items are missing or appear damaged, contact your Customer Account Representative. Keep the original packaging in the event that you need to return the Vehicle Dock for service or if you want to store the charger while not in use.

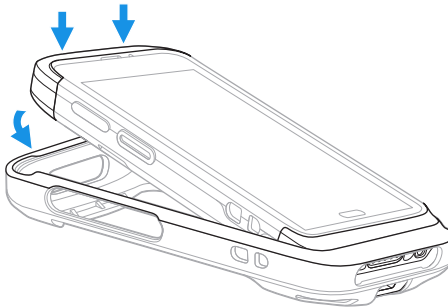
## Attach the Protective Boot

**Note:** *When used with a scan handle, the hand strap should be removed prior to installation.*

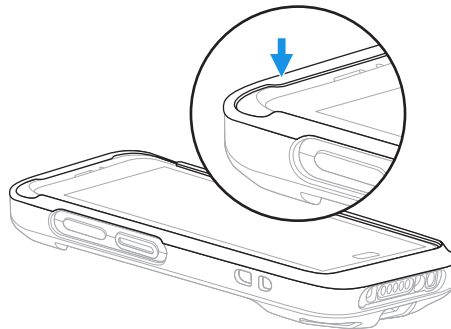
1. Insert the computer into the bottom of the boot.



2. Press down evenly.



3. Verify the boot lip overlaps the front of the device.



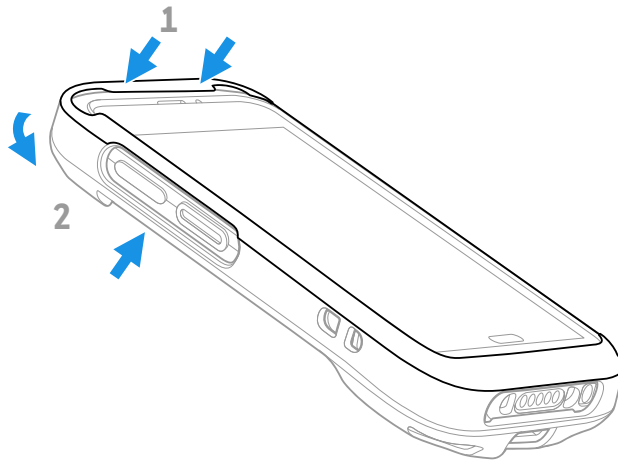
## Remove Protective Boot

**Note:** *The protective boot does not need to be removed for battery replacement or charging with a compatible base (see [page 2](#)).*

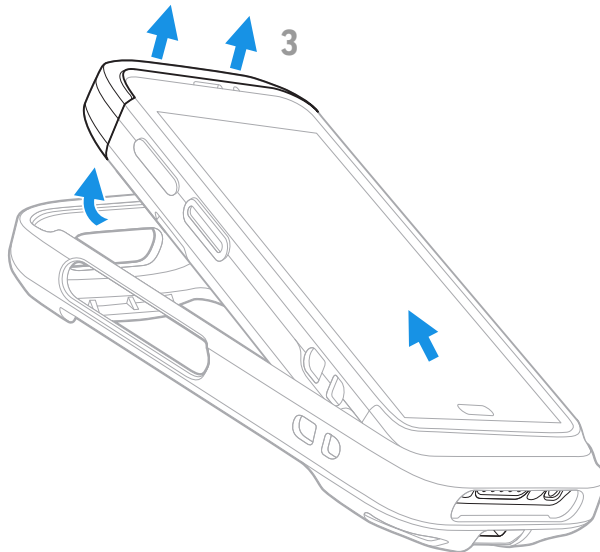
Routinely inspect the protective boot for damage, and replace if needed. See [page 2](#) to determine the appropriate replacement boot for your computer.

1. Hold the unit on both sides with the screen facing toward you. Use your thumbs to apply even pressure to the upper lip of the boot.

2. Apply gentle pressure to the back of the unit to release the top of the unit from the boot.



3. Lift the unit up and out of the bottom of the boot.







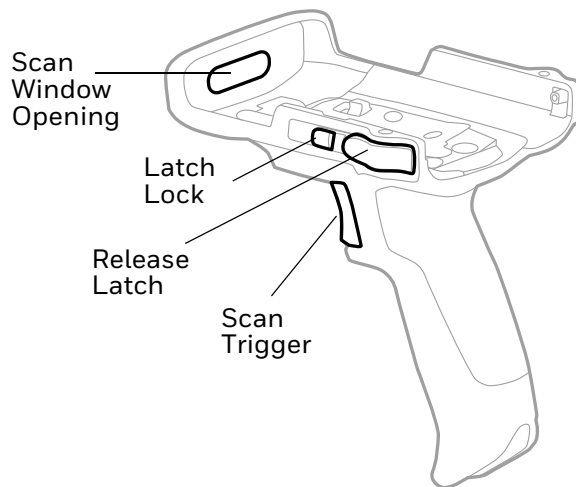
## SCAN HANDLE

A scan handle attaches to the mobile computer to provide handle grip and pull-trigger for barcode scanning. Honeywell offers the following universal and boot-compatible scan handles for the CT4X series:

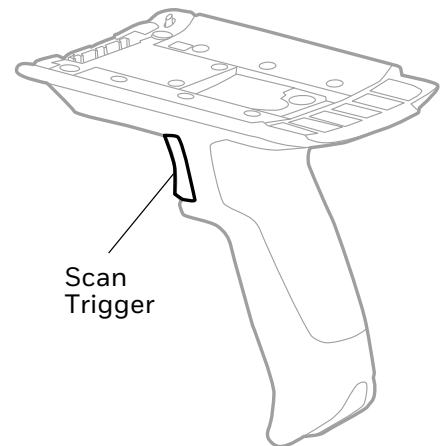
- CT45-SH-UVN for use with a CT45 or CT45XP without a boot attached
- CT40-SH-PB for use with a booted CT40 or CT40XP
- CT45-SH-UVB for use with a booted CT45 or CT45XP

## Features

CT45-SH-UVN

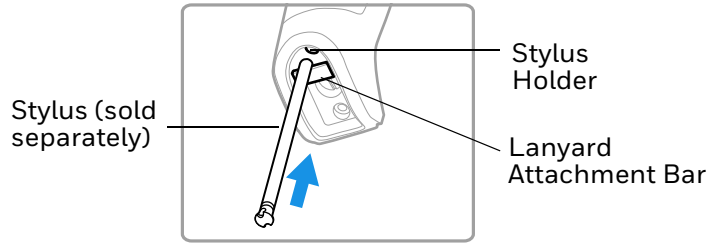


CT40-SH-PB/CT45-SH-UVB\*



\* Scan handle may differ slightly from illustration depending on model.

### CT45-SH-UVN/ CT45-SH-UVB



## Out of the Box

Make sure that your shipping box contains the following:

- Scan Handle (CT40-SH-PB, CT45-SH-UVN, or CT45-SH-UVB)

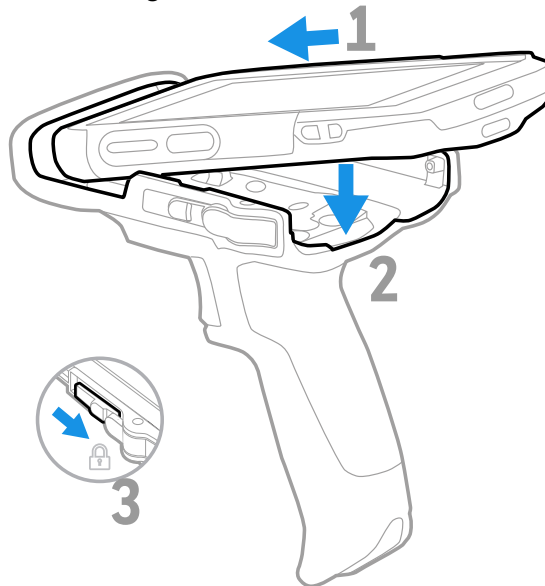
If any items are missing or appear damaged, contact your Customer Account Representative. Keep the original packaging in the event that you need to return the Vehicle Dock for service or if you want to store the charger while not in use.

## Attach Scan Handle

### CT45-SH-UVN

The CT45-SH-UVN is compatible with CT45s without a protective boot attached:

1. Insert the top of the CT45 into the handle at a slight angle.
2. Push the unit down until the latch engages.
3. Slide the latch lock to the right.

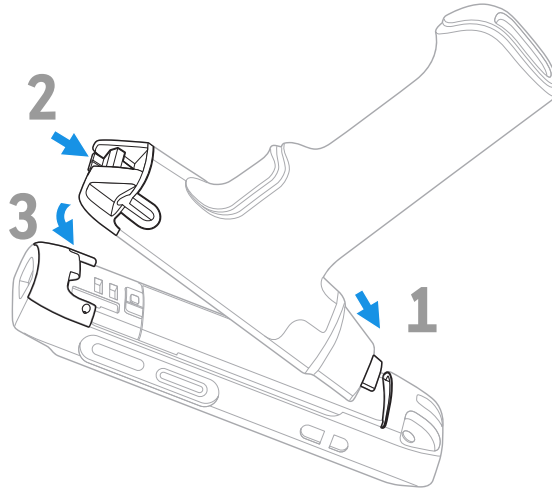


## CT40-SH-PB and CT45-SH-UVB

For computers with a protective boot attached:

1. Insert the handle tab into the unit/boot assembly.
2. Press and hold the latch.
3. Lower the handle down and release the latch.

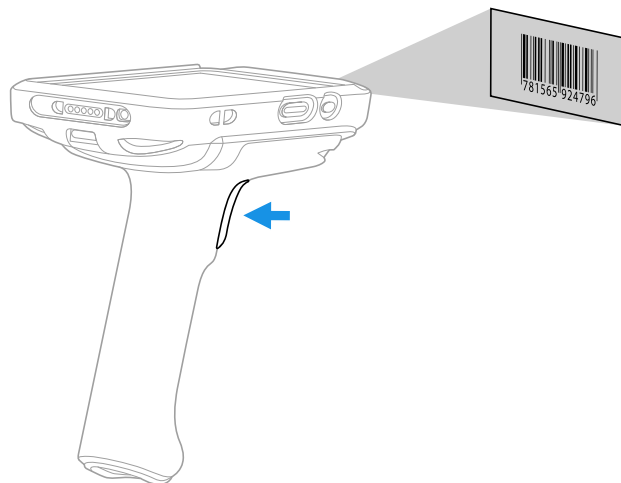
**Note:** Remove hand strap before assembly.



**Note:** Scan handle may differ slightly from illustration depending on model.

## Scan a Bar Code

Press the trigger on the handle to scan a bar code.



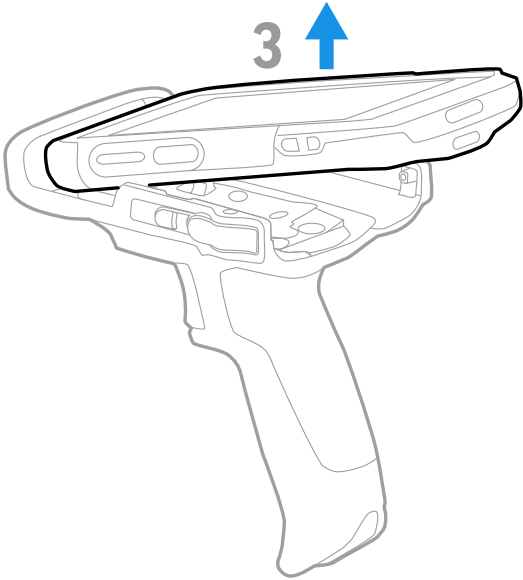
# Remove Scan Handle

## CT45-SH-UVN

- 1. Slide the latch lock to the left.
- 2. Press the release latch button on both sides.

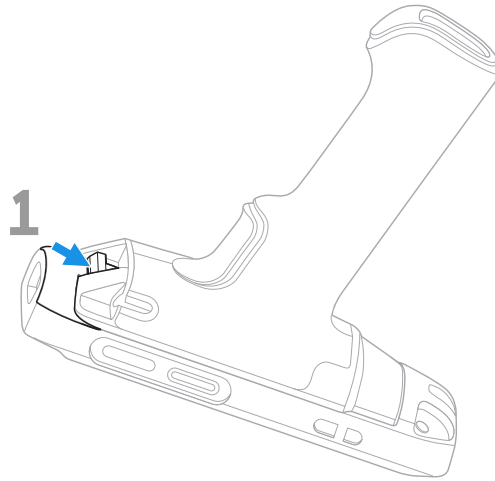


- 3. Lift unit out.

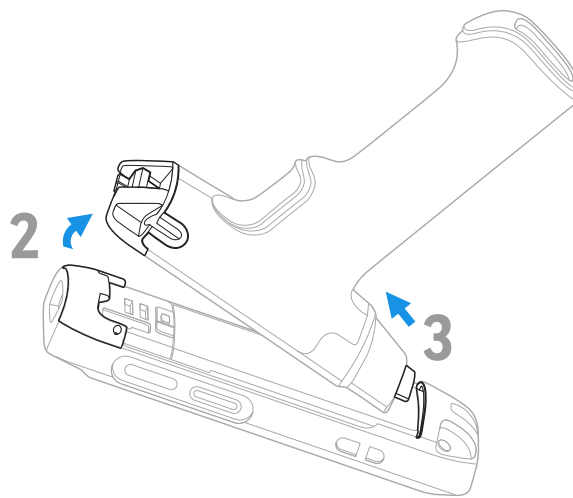


# CT40-SH-PB and CT45-SH-UVB

1. Press and hold the button.



2. Lift handle end and release button.
3. Slide handle tab out of unit/boot assembly.





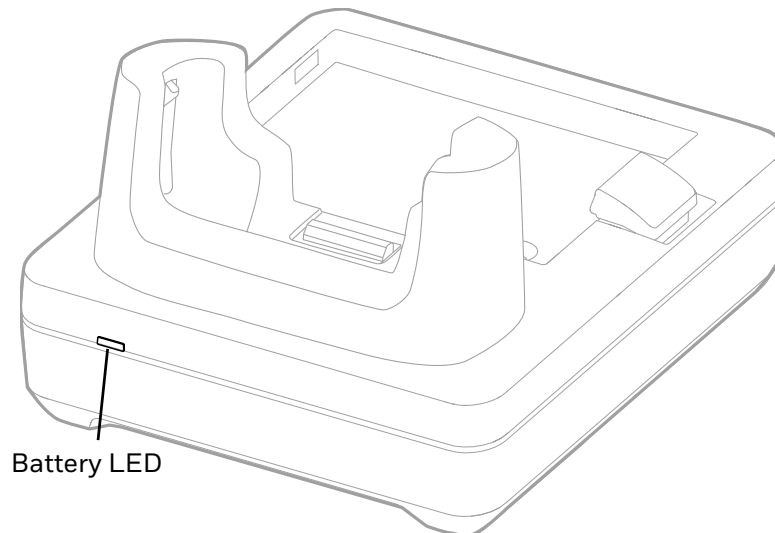
# HOME BASE AND ETHERNET HOME BASE

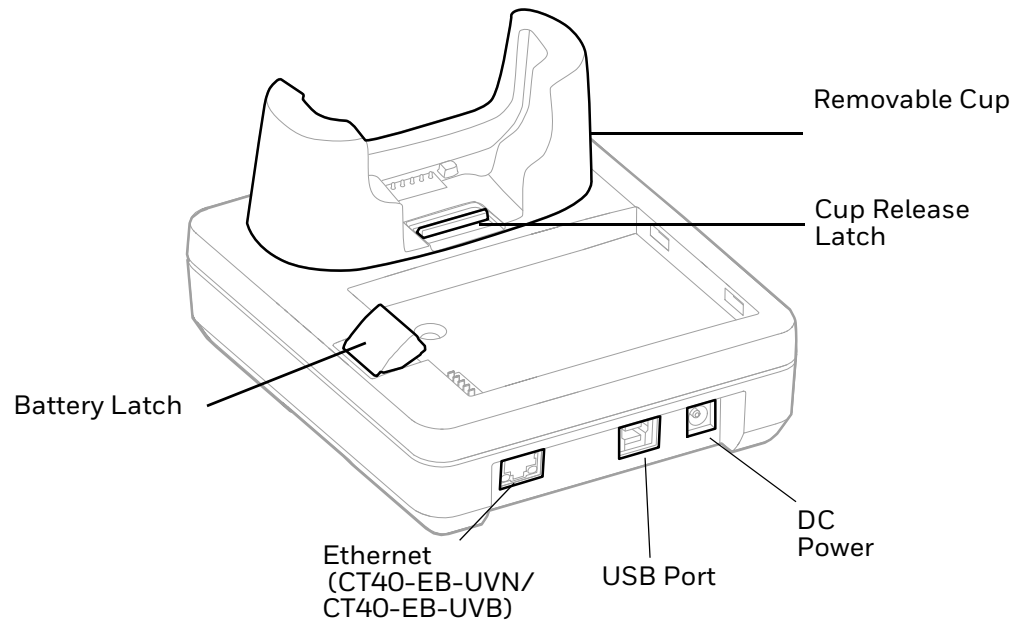
A Home Base is a charge/communication base for one mobile computer and one spare battery. The Home Base has one USB client connector.

An Ethernet Home Base is also a charge/communication base for one mobile computer and one spare battery. However, the Ethernet Base also has an Ethernet connector as well as a USB client connector (Type B).

The CT40-HB-UVB Universal Home Base and CT40-EB-UVB Universal Ethernet Base are boot-compatible. The CT40-HB-UVN Universal Home Base and CT40-EB-UVN Universal Ethernet Base must be used with a computer without a boot attached. Universal bases have removable cups that can be replaced. (See [Universal Cups](#) on page 37.)

## Features





## Out of the Box

Make sure that your shipping box contains these items:

- Home Base (CT40-HB-UVN/CT40-HB-UVB) or Ethernet Home Base (CT40-EB-UVN/CT40-EB-UVB)
- Power supply
- Power cord (if purchased)
- Product documentation

If any of these items are missing or appear damaged, contact your Customer Account Representative. Keep the original packaging in the event that you need to return the base for service or if you want to store the charger while not in use.

## Connect Power

Use only a UL Listed power supply that has been qualified by Honeywell with an output rated at 12VDC and 3A. The power supply input rating is 90-264 VAC, 50/60 Hz. The operating temperature is -10 °C to 50 °C (14 °F to 122 °F). The maximum output of the base is 5VDC/2A.

1. Plug the power cord into the power supply.
2. Plug the power supply cable into the power connector on the back of the base.



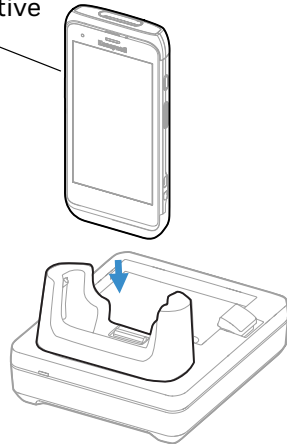
3. Plug the power cord into a standard wall outlet.

## Charge the Battery Pack

Insert computer into Home Base (CT40-HB-UVN, CT40-HB-UVB) or Ethernet Home Base (CT40-EB-UVN, CT40-EB-UVB). Unit will not charge unless a battery is installed.

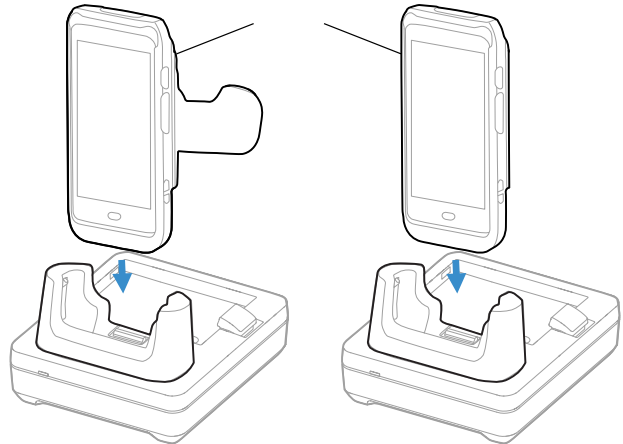
### CT40-HB-UVN/CT40-EB-UVN

CT40/CT40XP/  
CT45 without  
protective  
boot

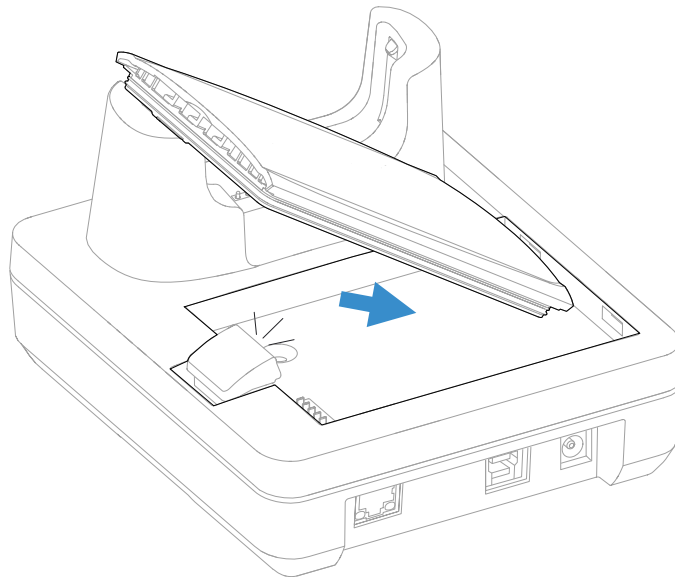


### CT40-HB-UVB/CT40-EB-UVB

CT40/CT40XP/  
CT45 with protective boot



You can also, insert a battery pack into the Home Base for charging.



# Status LED

LED	Status	Description
Battery	Solid Green	The battery is connected to external power and is fully charged.
	Solid Amber	The battery is connected to external power and is charging.
	Solid Red	There is a battery charging fault, such as over-temperature.

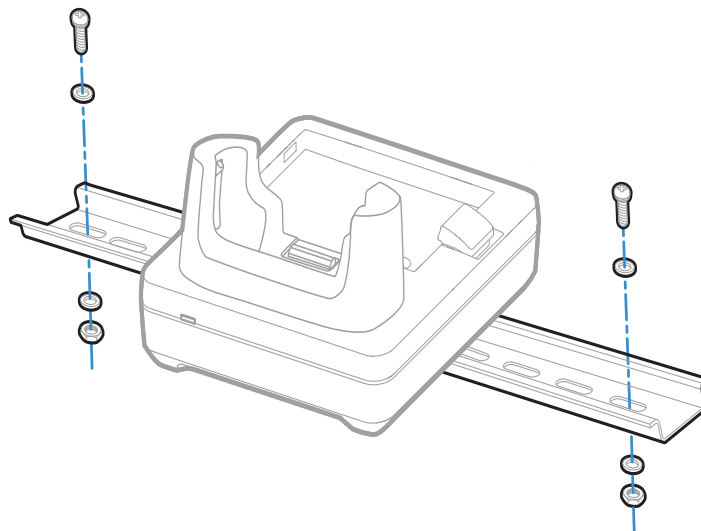
## Mount the Home Base

You can mount the Home Base on a flat, horizontal surface such as a desktop or workbench with an optional DIN rail.

Mounting hardware required:

- DIN rail
- 3/16-inch diameter x 5/8-inch long pan head screw
- 1/2-inch OD x 7/32-inch ID x 3/64-inch thick washer
- 3/16-inch diameter nut

1. Slide the DIN rail into the slot on the bottom of the Home Base.
2. Secure the DIN rail to the flat surface with the hardware.



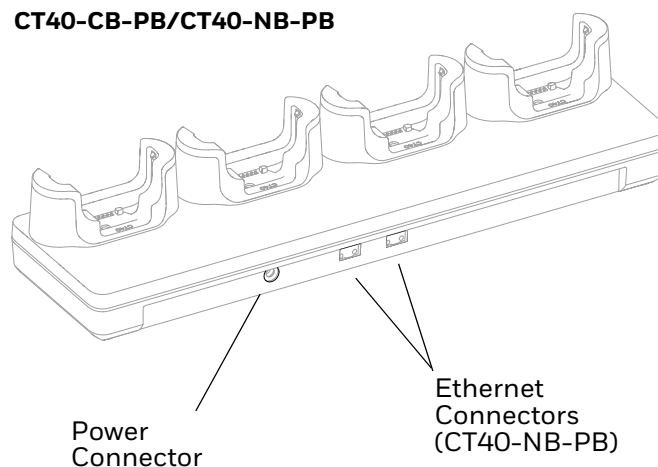
# CHARGE BASE AND ETHERNET BASE

Charge Bases CT40-CB-PB, CT40-CB-UVN and CT40-CB-UVB charge up to four mobile computers. Models CT40-CB-PB and the CT40-CB-UVB are boot compatible.

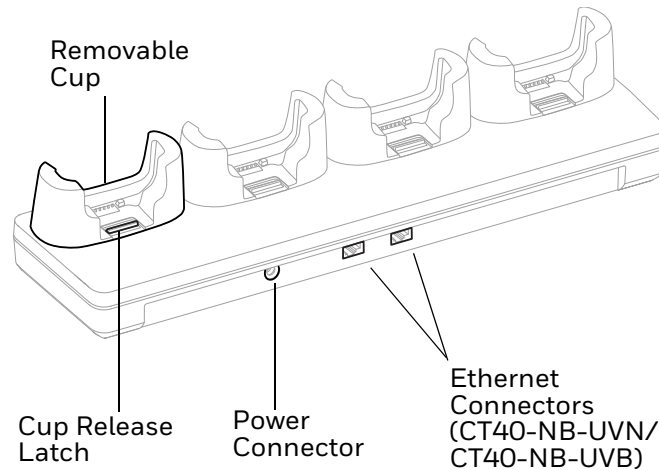
Ethernet (Net) Bases CT40-NB-PB, CT40-NB-UVN, and CT40-NB-UVB hold four mobile computers and function as both charge and communication bases, with two RJ45 Ethernet ports. Models CT40-NB-PB and CT40-NB-UVB are boot compatible.

Universal bases CT40-CB-UVN, CT40-CB-UVB, CT40-NB-UVN, and CT40-NB-UVB have removable cups that can be replaced. (See [Universal Cups](#) on page 37.)

## Features



## CT40-CB-UVN/CT40-CB-UVB/CT40-NB-UVN/CT40-NB-UVB



## Out of the Box

Make sure that your shipping box contains these items:

- Charge Base (CT40-CB-PB, CT40-CB-UVN, CT40-CB-UVB) or Ethernet Base (CT40-NB-PB, CT40-NB-UVN, CT40-NB-UVB)
- Power supply
- Power cord (if purchased)
- Product documentation

If any of these items are missing or appear damaged, contact your Customer Account Representative. Keep the original packaging in the event that you need to return the base for service or if you want to store the charger while not in use.

## Connect Power

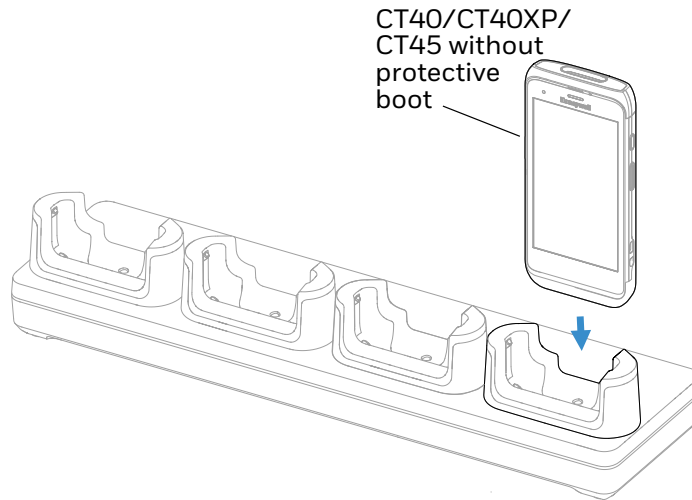
Use only a UL Listed power supply that has been qualified by Honeywell with an output rated at 12V/7A. The power supply input rating is 100-240 VAC, 50/60 Hz. The operating temperature is -10 °C to 50 °C (14 °F to 122 °F).

1. Plug the power cord into the power supply.
2. Plug the power supply cable into the power connector on the back of the base.
3. Plug the power cord into a standard wall outlet.

# Charge the Battery Pack

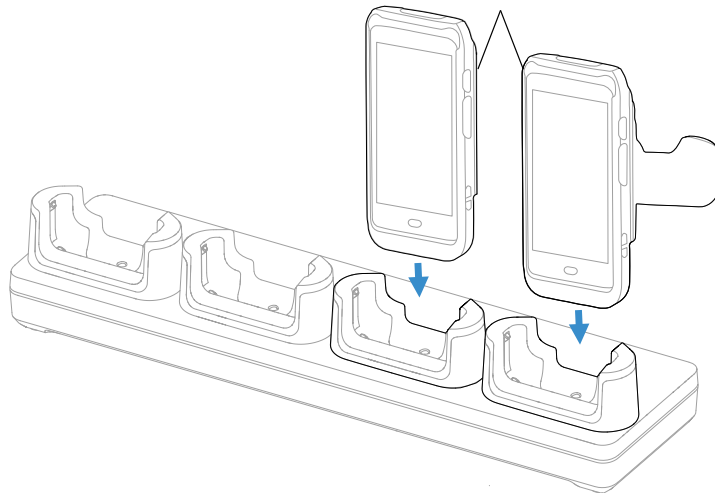
Insert device with battery installed into the Charge Base or Net Base.

## CT40-CB-UVN/CT40-NB-UVN



## CT40-CB-PB/CT40-NB-PB/CT40-CB-UVB/CT40-NB-UVB

CT40/CT40XP/CT45 with protective boot



**Note:** Bases CT40-CB-PB and CT40-NB-PB will not charge unless a boot is attached to the computer.

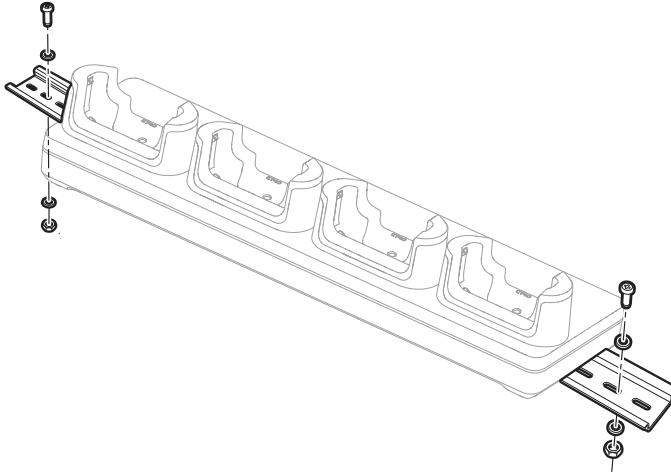
# Mount the Charge Base or Net Base

You can mount the charger on a flat, horizontal surface such as a desktop or workbench with an optional DIN rail.

Mounting hardware required:

- DIN rail
- 3/16-inch diameter x 5/8-inch long pan head screw
- 1/2-inch OD x 7/32-inch ID x 3/64-inch thick washer
- 3/16-inch diameter nut

1. Slide the DIN rail into the slot on the bottom of the Charge Base or Net Base.
2. Secure the DIN rail to the flat surface with the hardware.

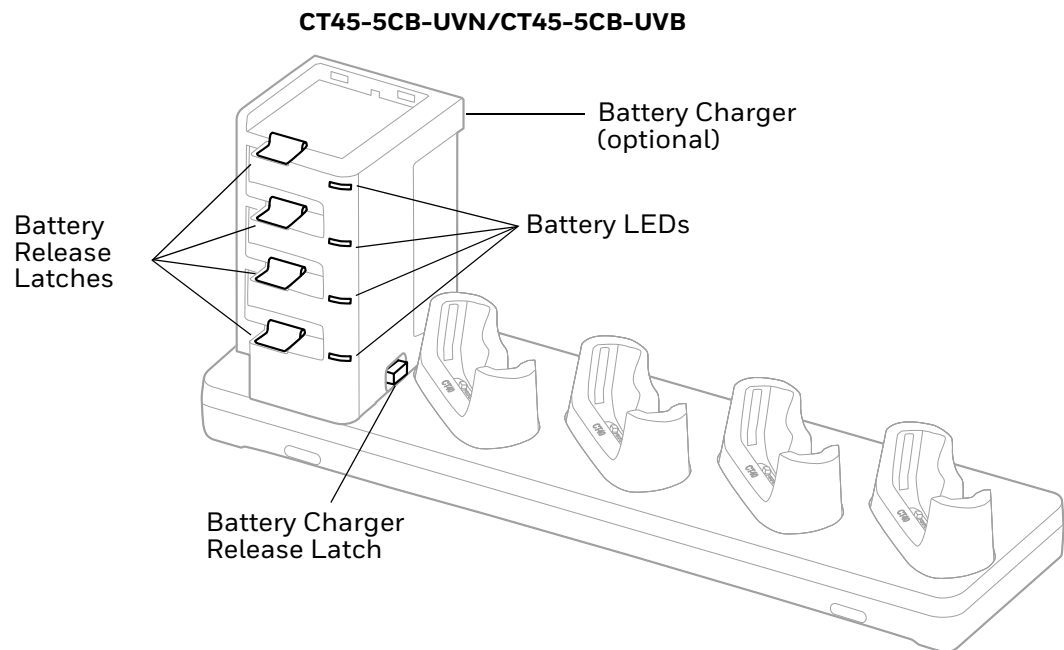


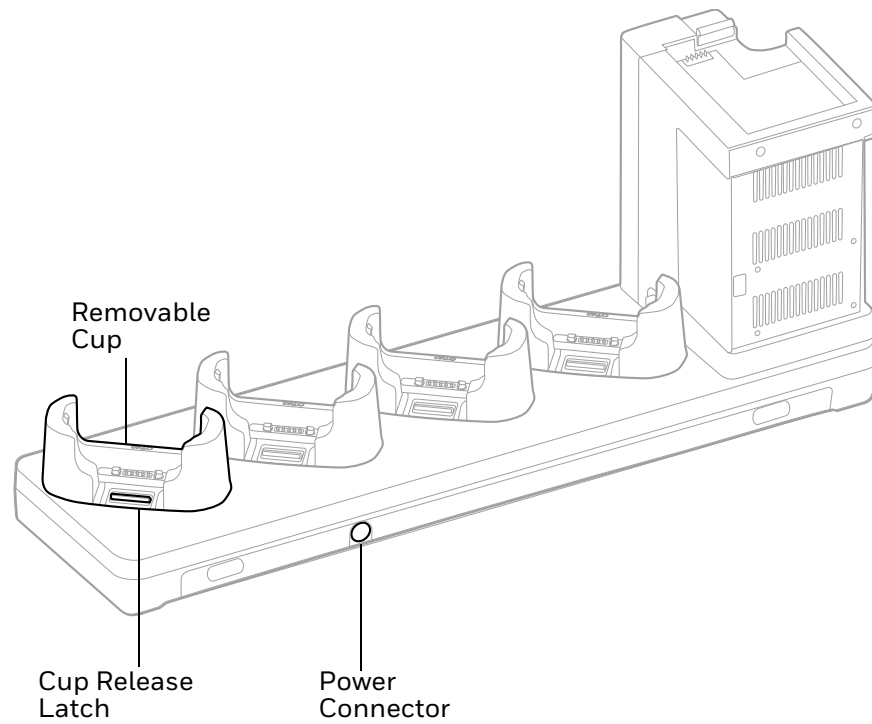
# 5-BAY CHARGE BASE

The Universal Five-Bay Charge Base provides the flexibility of charging five units, or four units and four batteries with the optional battery charger.

The CT45-5CB-UVB is boot-compatible. The CT45-5CB-UVN must be used with a computer that does not have a boot installed. Universal bases have removable cups that can be replaced. (See [Universal Cups](#) on page 37.)

## Features





## Out of the Box

Make sure that your shipping box contains these items:

- 5-Bay Charge Base (CT45-5CB-UVN/CT45-5CB-UVB)
- Power supply
- Power cord (if purchased)
- Product documentation

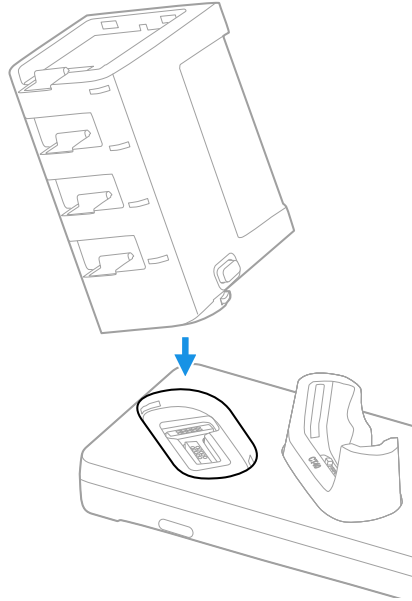
If any of these items are missing or appear damaged, contact your Customer Account Representative. Keep the original packaging in the event that you need to return the base for service or if you want to store the charger while not in use.



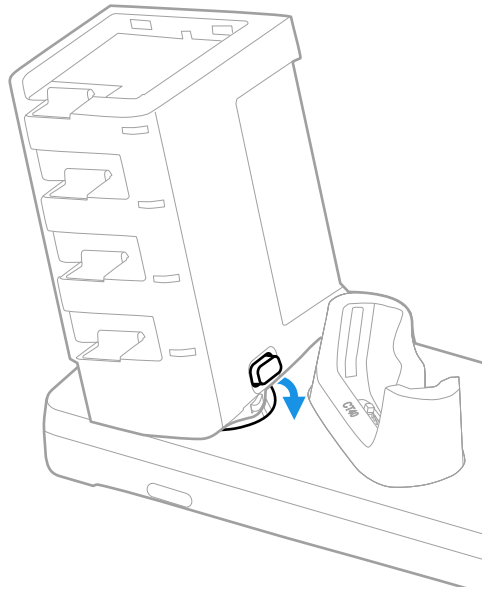
# Insert the Optional Battery Charger

**Note:** The Battery Charger must be installed in the location shown below.

1. Insert the battery charger tilted slightly to the left of the base.



2. Press the latch release button as you push the battery charger down until it snaps in.



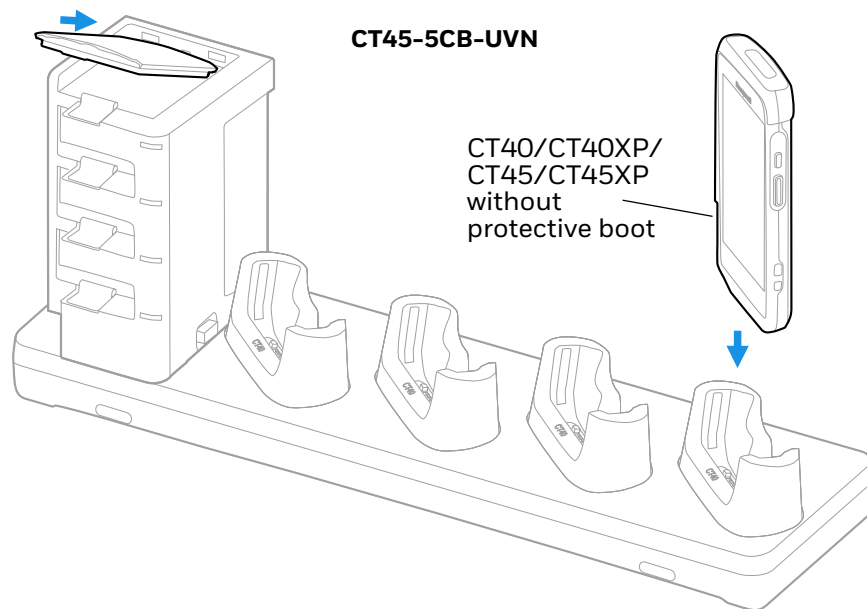
## Connect Power

Use only a UL Listed power supply that has been qualified by Honeywell with an output rated at 12V/8A. The power supply input rating is 100-240 VAC, 50/60 Hz. The operating temperature is 0 °C to 45 °C (32 °F to 113 °F).

1. Plug the power cord into the power supply.
2. Plug the power supply cable into the power connector on the back of the base.
3. Plug the power cord into a standard wall outlet.

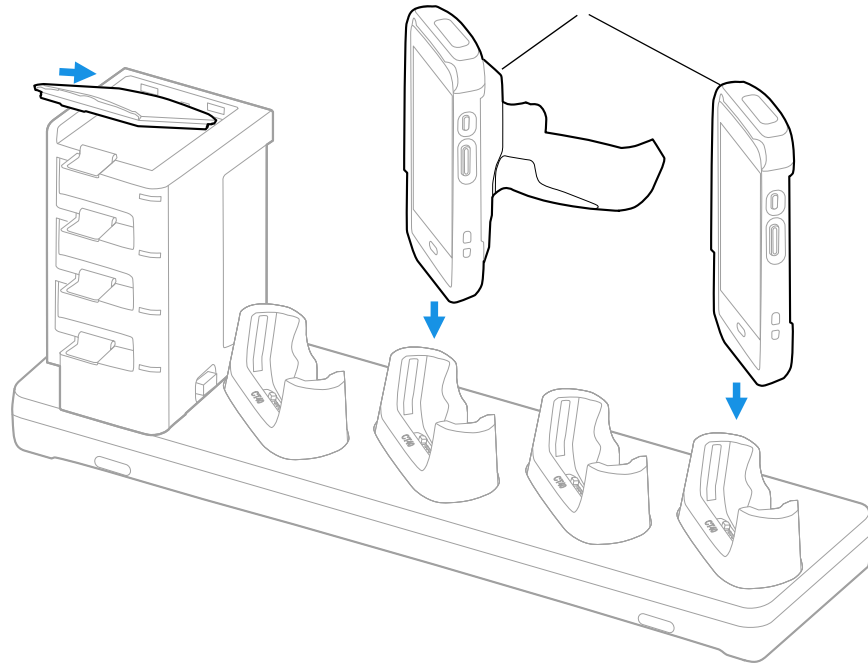
## Charge the Battery Pack

Insert device with battery installed into the 5-Bay Charge Base. Or insert battery into the optional battery charger.



**CT45-5CB-UVB**

CT40/CT40XP/CT45/CT45XP  
with protective boot



## Status LED

LED	Status	Description
Battery	Solid Green	The battery is connected to external power and is fully charged.
	Solid Amber	The battery is connected to external power and is charging.
	Solid Red	There is a battery charging fault, such as over-temperature.

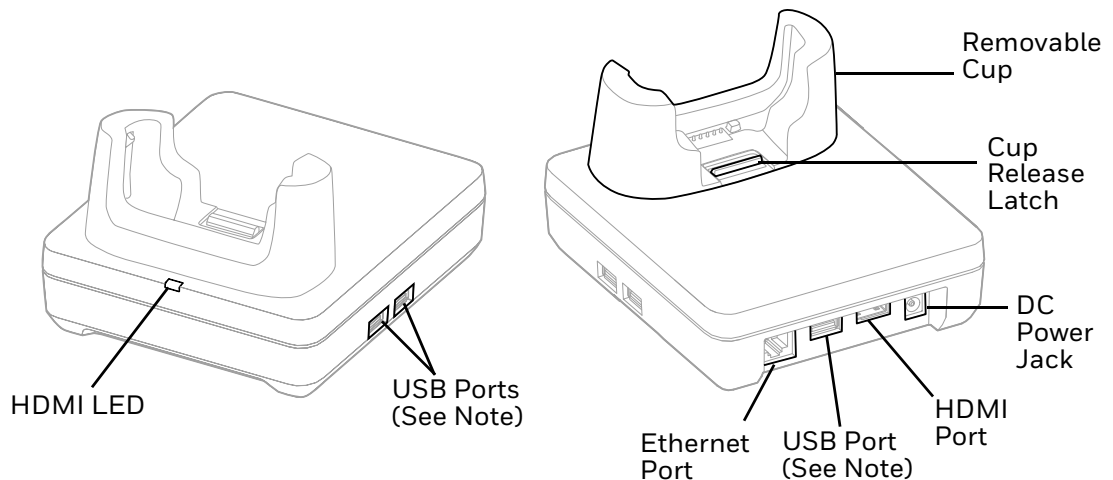


## DISPLAY DOCK

A display dock allows a CT40, CT40XP, or CT45 to become a personal computer. A monitor, keyboard, mouse, and audio can be connected through the dock via the USB ports. The dock also provides an Ethernet connection.

The CT40-DB-UVN accepts only a computer without a protective boot, while the CT40-DB-UVB is compatible with a booted computer. Both universal display docks have removable cups that can be replaced. (See [Universal Cups](#) on page 37.)

## Features



**Note:** The display dock supports USB direct connections only. The dock does not support USB hub connections, including keyboards with USB port(s).

## Out of the Box

Make sure that your shipping box contains these items:

- CT40 Universal Display Dock (CT40-DB-UVN or CT40-DB-UVB)

- Power adapter
- Power cord
- Regulatory Sheet

If any of these items are missing or appear damaged, contact your Customer Account Representative. Keep the original packaging in the event that you need to return the base for service or if you want to store the charger while not in use.

## Dock Connectors

### Connect Power

Use only a UL Listed power supply that has been qualified by Honeywell with an output rated at 12 VDC and 3 A. The power supply input rating is 100-240 VAC, 50/60 Hz. The operating temperature is --10°C to 50°C (14°F to 122°F). The maximum output of the base is 5VDC/2A.

1. Plug the power cord into the power supply.
2. Plug the power supply cable into the power jack on the back of the dock.
3. Plug the power cord into a standard wall outlet.

### Connect to Monitor

**Note:** See [Monitor Connections](#) on page 35 for a list of approved connections.

1. Plug the HDMI cable into the dock.
2. Plug the other end of the HDMI cable into the monitor.

### Connect to an Ethernet Network

1. Plug the Ethernet cable into the dock.
2. Place the computer in the dock.

**Note:** For advanced Ethernet settings, go to [sps.honeywell.com](https://sps.honeywell.com) for the Dolphin CT40 User Guide.

### Connect to an USB Device

**Note:** See [USB Devices](#) on page 35 for a list of approved USB devices.

**Note:** The dock supports USB direct connections only. The dock does not support USB hub connections, including keyboards with USB port(s).

Plug the USB type A cable into a USB port on the dock.

## Status LED

Status	Description
Constant Green	The dock is connected through HDMI.
Off	The dock is not connected or lost connection through HDMI.

## Check Software on Computer

Before using the Display Dock ensure your computer is running the DisplayLink software.

- If your computer is powered by Android 8 or higher, your computer has the DisplayLink software installed by Honeywell.
- If your computer is powered by Android 7 or lower, you will need to install the DisplayLink software.

## Install DisplayLink Software

There are two ways to download the DisplayLink software to the computer:

- Download the DisplayLink Presenter app from Google Play.
- Download the DisplayLink Presenter APK provided by Honeywell.

## Download the APK

To download the DisplayLink Presenter:

1. Go to the *Technical Support Downloads Portal*, <https://hsmftp.honeywell.com>.
2. Create an account if you have not already created one. You must login to download the software.
3. Install the *Honeywell Download Manager* tool on your workstation (e.g. laptop or desktop computer) prior to trying to download any files.
4. Navigate to the software. Click on **Software > Computer Devices > Handheld > Dolphin CT40 > Current > CT40 Display Dock**.
5. Select **Download** next to the software zip file.

# Install the Software

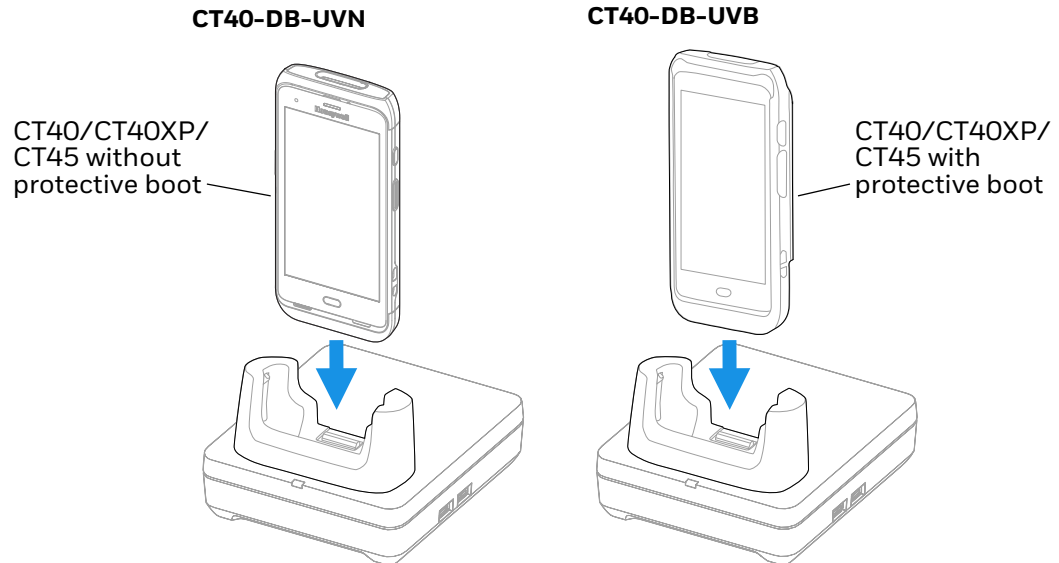
**Note:** *The computer must have power for the entire length of the install process or it could become unstable. Do not attempt to remove the battery during the process.*

1. Swipe up from the bottom of the Home screen to access all apps.
2. Tap **Settings** > **Provisioning mode** under *Honeywell settings*.
3. Tap the toggle button to turn Provisioning mode **On**.
4. Connect the computer to your workstation.
5. On the computer, swipe down from the top of the screen to see the notifications.
6. Tap **USB charging this device**.
7. Select **Transfer files**.
8. Open the browser on your workstation.
9. Save the DisplayLink Presenter file (\*.apk), version 2.3.0 or higher, in one of the following folders on the CT40 mobile computer:
  - **Internal shared storage\honeywell\autoinstall**  
Files saved to this folder for installation, do not persist when a Full factory reset or Enterprise data reset is performed.
  - **IPSM card\honeywell\autoinstall**  
Files saved to this folder for installation, do not persist when a Full factory reset is performed. However, the software does persist if an Enterprise data reset is performed.
10. Swipe up from the bottom of the Home screen to access all apps.
11. Tap **AutoInstall Settings** and verify **AutoInstall** is enabled.
12. Tap **Packages Upgrade** from the AutoInstall Settings screen. The computer will initiate a reboot and installs the software. When the install is finished, the lock screen appears.
13. Once installation is complete, turn Provisioning mode **Off**.



# Insert Computer into the Dock

Ensure the CT40, CT40XP, or CT45 is fully seated into the dock.



The first time you insert the computer into the dock, prompts appear on the screen. Follow the prompts on the screen to:

- Set default for DisplayLink Presenter to open when the USB device is connected.
- Start capturing everything that is displayed on your screen.

**Note:** These prompts no longer appear when you insert the CT40 into the dock unless you left “Don’t show again” unchecked.

The computer will automatically change to landscape and the resolution will update to the monitor settings.

## Configure the Display Dock Settings

You can configure the parameters on the computer for the Display Dock using the Display Dock Settings app.

### Set Display Dock Settings

The Display Dock Settings app is available from the all apps menu under Settings.

1. Swipe up from the bottom of the Home screen to access all apps.
2. Tap **Settings** > **Honeywell Settings** > **Display Dock Setting**.

## Set Monitor Settings

1. Swipe up from the bottom of the Home screen to access all apps.
2. Tap **Settings** > **Honeywell Settings** > **Display Dock Setting**.
3. Choose one of the following options to set the view:
  - Tap **System portrait screen**, to have the computer stay in portrait view.
  - Tap **System landscape screen**, to have the computer stay in landscape view.
4. To set the system resolution, tap **Resolution** and choose one of the following options:
  - **1080 x 1920**
  - **720 x 1280**
5. To set the density, tap **Density** and chose one of the following options:
  - **160**
  - **240**
  - **320**
  - **400**

## Set Peripheral Settings

1. Swipe up from the bottom of the Home screen to access all apps.
2. Tap **Settings** > **Honeywell Settings** > **Display Dock Setting**.
3. To set the right mouse button to the back key, tap **Right mouse button** to toggle the feature on or off.
4. Tap **HDMI audio** to toggle between  **Sound to terminal** or  **Sound to external monitor**.

## Set Mode Settings

1. Swipe up from the bottom of the Home screen to access all apps.
2. Tap **Settings** > **Honeywell Settings** > **Display Dock Setting**.
3. To set the external monitor mode:
  - Select **Primary Mode** to automatically adjust as configured in settings or
  - Select **Mirror mode** to match the terminals settings.

# Connected Devices

## Monitor Connections

### Supported Devices

- HDMI versions 1.4 and above
- VGA - supported through HDMI/VGA converter
- DVI - supported through HDMI/DVI converter

### Non-Supported Devices

- HDMI splitter for two monitors
- Display Port

## USB Devices

### Supported Devices

- Standard three button mouse with scroll
- Standard QWERTY keyboard without HUB/USB type A ports on the keyboard
- USB headset/USB to 3.5mm audio converter
- USB mass storage devices (thumb drives), not recommended for large transfers (over 1GB)

### Non-Supported Devices

- USB Hubs
- USB devices with additional USB type A ports

## Clean the Dock

You may need to clean the dock to keep the dock in good working order. Clean the dock as often as needed for the environment in which you are using the dock with a dry soft cloth.

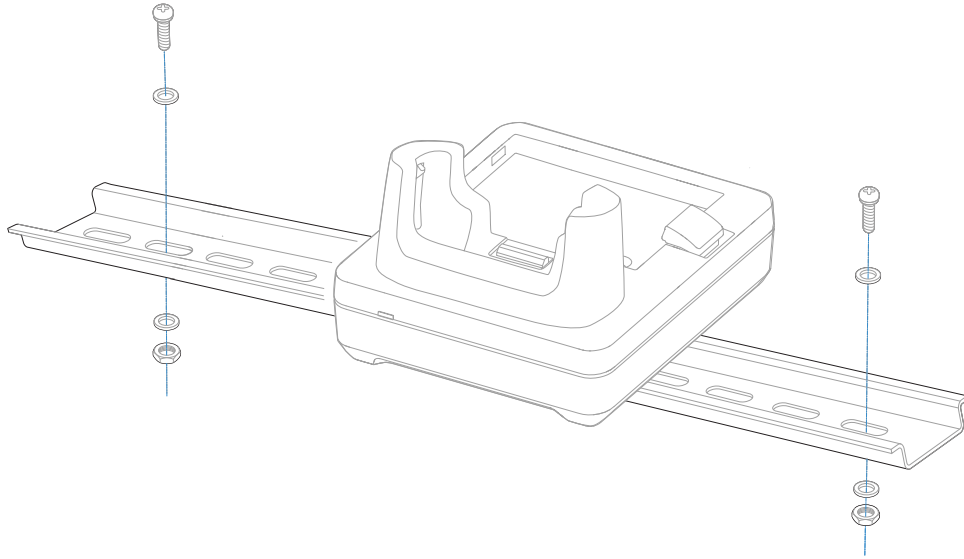
## Mount the Display Dock

You can mount the dock on a flat, horizontal surface such as a desktop or work-bench with an optional DIN rail.

Mouthing hardware required:

- DIN rail
- 3/16-inch diameter x 5/8-inch long pan head screw
- 1/2-inch OD x 7/32-inch ID x 3/64-inch thick washer
- 3/16-inch diameter nut

1. Slide the DIN rail into the slot on the bottom of the dock.
2. Secure the DIN rail to the flat surface with the hardware.



# UNIVERSAL CUPS

Universal Bases have removable cups that can be replaced with Universal Cups CT40-UCP-N and CT40-UCP-B.

CT40-UCP-N is for use with a CT40/CT40XP/CT45 computer without a boot. CT40-UCP-B must be used with a CT40/CT40XP/CT45 computer with a boot attached.

For more information about the universal docks for CT40/CT40XP/CT45 computers, see:

- [Home Base and Ethernet Home Base](#) (page 15)
- [Charge Base and Ethernet Base](#) (page 19)
- [Display Dock](#) (page 29)

## Out of the Box

Make sure that your shipping box contains these items:

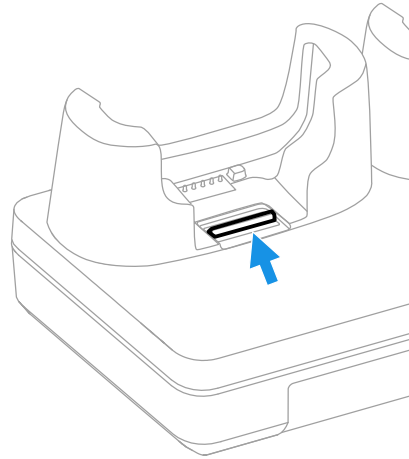
- Universal Cup (CT40-UCP-N or CT40-UCP-B)

If any of these items are missing or appear damaged, contact your Customer Account Representative. Keep the original packaging in the event that you need to return the base for service or if you want to store the charger while not in use.

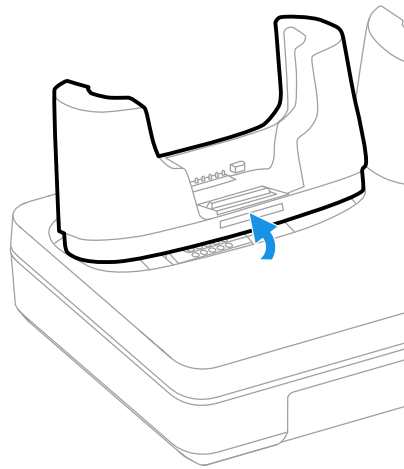
# Replacing a Universal Cup

**Note:** The Universal Charge base is shown in the instructions below for illustration purposes. The steps for removing and inserting a cup are the same for all universal bases.

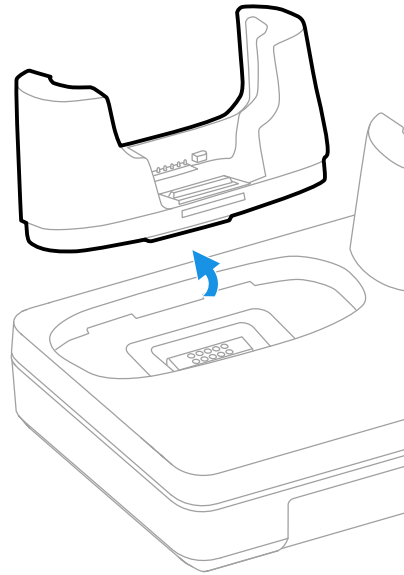
1. Push the latch towards the front of the base.



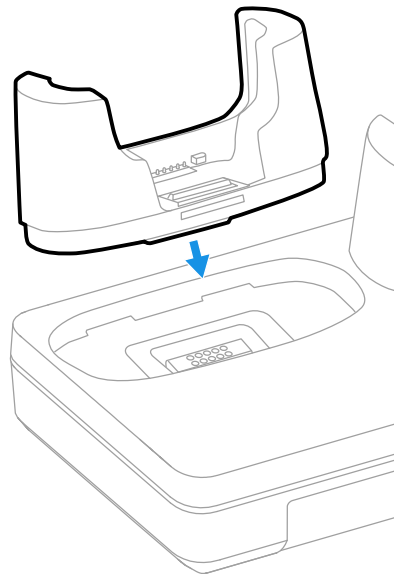
2. Tilt the back of the cup upwards.



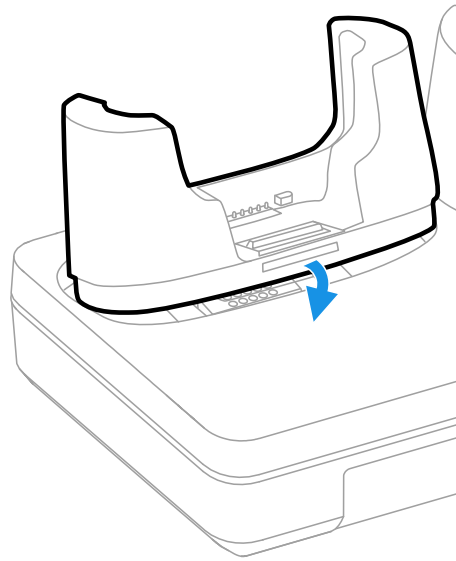
3. Lift the old cup out of the base.



4. Insert the new cup tilted slightly towards the front of the base.



5. Push the cup into the base until it snaps in.

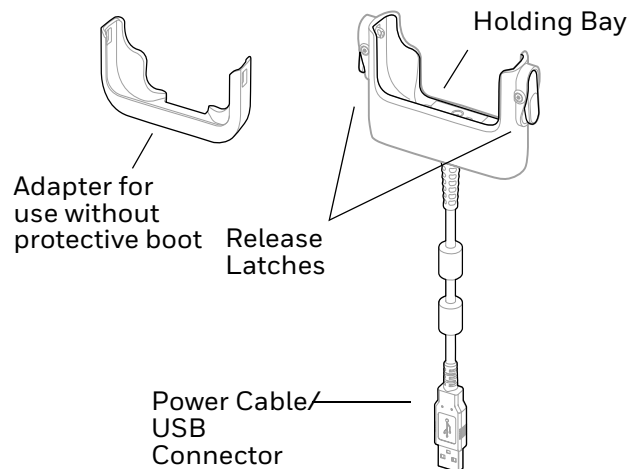




# SNAP-ON USB ADAPTER

A Snap-On Adapter is a tethered USB adapter that charges one mobile computer and allows data transfer via USB client connectivity. Both the CT40-SN-CNV and the CT45-SN-CNV include an adapter for mobile computer use without a protective boot.

## Features



## Out of the Box

Make sure that your shipping box contains these items:

- Snap-On USB Adapter (CT40-SN-CNV or CT45-SN-CNV)
- Adapter for use without protective boot
- Product documentation

If any of these items are missing or appear damaged, contact your Customer Account Representative. Keep the original packaging in the event that you need to return the Vehicle Dock for service or if you want to store the charger while not in use.

## Connect Power

You can charge your unit via the snap-on adapter by connecting it to a USB port on a host device or with the optional 5VDC/2A wall charger (p/n 50130570-001).

The operating temperature is -10 °C to 50 °C (-14 °F to 122 °F).

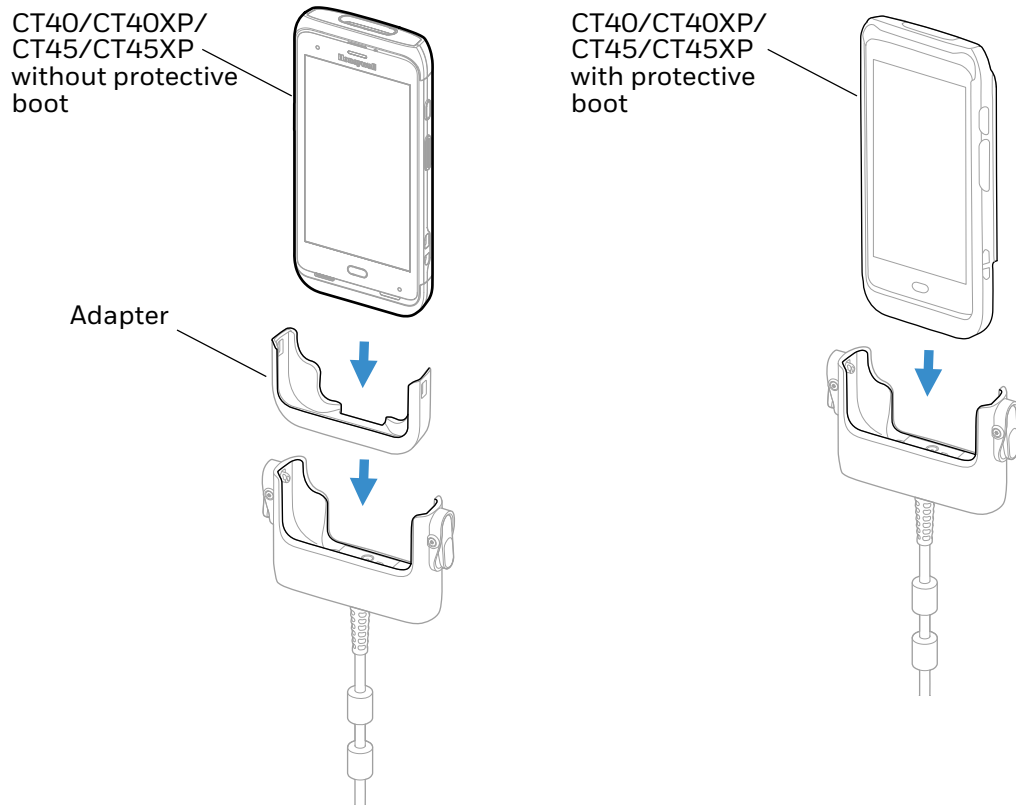
## Charge the Battery Pack

### Charge from a USB port on a Host Device

Charging the battery through a USB port takes more time than direct charging using the optional wall charger.

1. Connect the USB cable to your personal computer.
2. If your computer does not have a boot attached, insert the adapter into the holding bay of the snap-on USB adapter.

3. Insert the computer with battery installed into the holding bay until the latches click.

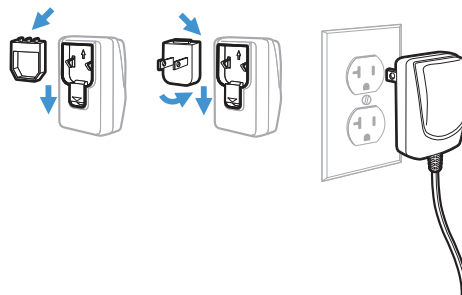


**Note:** Inadequate source current may lengthen the charge time or prevent the battery from charging if the terminal is drawing more current than supplied by the USB port.

## Charge with Optional Wall Charger (50130570-001)

Use only a UL listed power supply that has been qualified by Honeywell with an output rated at 5VDC/2A with the device.

1. Slide the regional plug adapter into the wall charger.
2. Connect the snap-on adapter USB cable to the wall charger.
3. Plug the wall charger into an AC power outlet.



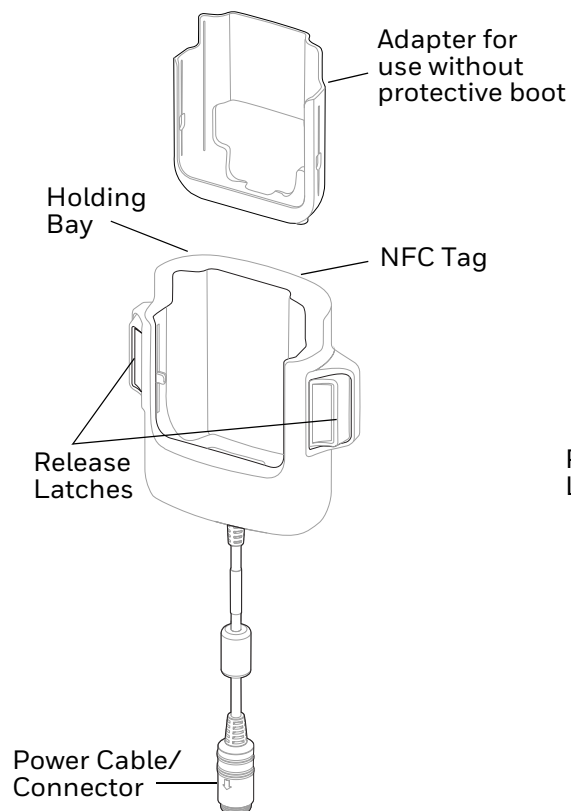
4. If your computer does not have a boot attached, insert the adapter into the holding bay of the snap-on USB adapter.
5. Insert the computer with battery installed into the holding bay until the latches click.

## VEHICLE DOCK

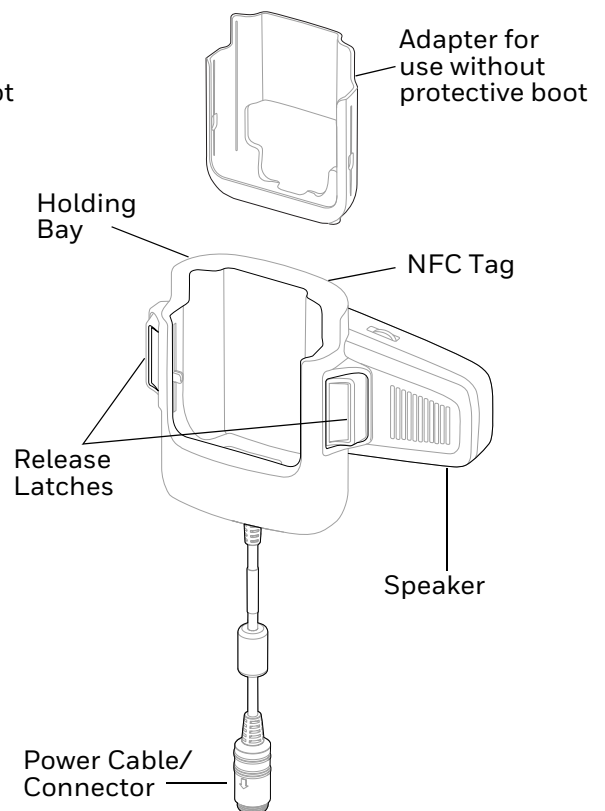
The Vehicle Dock securely fastens your device in a moving vehicle. It has a hard-wired 3-pin power cable and can be used for a CT4x mobile computer with or without a protective boot.

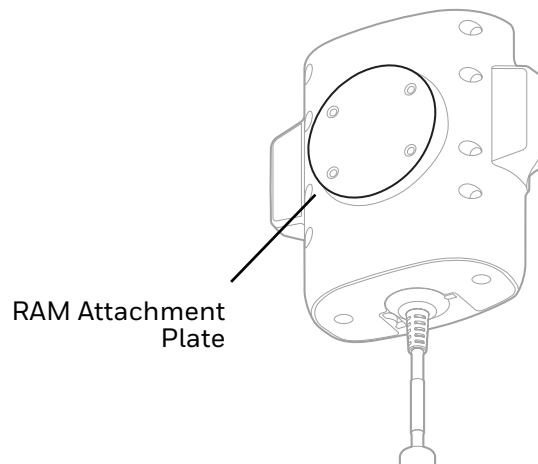
## Features

CT40-VD-CNV/CT45-VD-CNV



CT45-VD-CNV-SPK





## Out of the Box

Make sure that your shipping box contains these items:

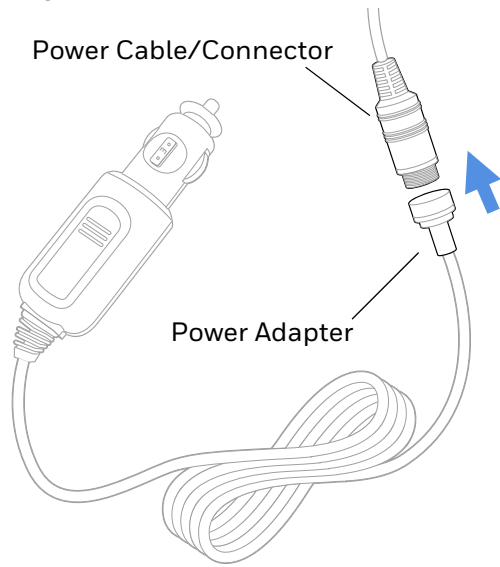
- Vehicle dock (CT40-VD-CNV, CT45-VD-CNV, or CT45-VD-CNV-SPK )
- Adapter for use without protective boot.
- Power adapter
- Product documentation

If any of these items are missing or appear damaged, contact your Customer Account Representative. Keep the original packaging in the event that you need to return the Vehicle Dock for service or if you want to store the charger while not in use.

## Connect Power

The vehicle to which you connect the Vehicle Dock should supply 2 A to the computer. The operating temperature is -20 °C to 50 °C (-4 °F to 122 °F).

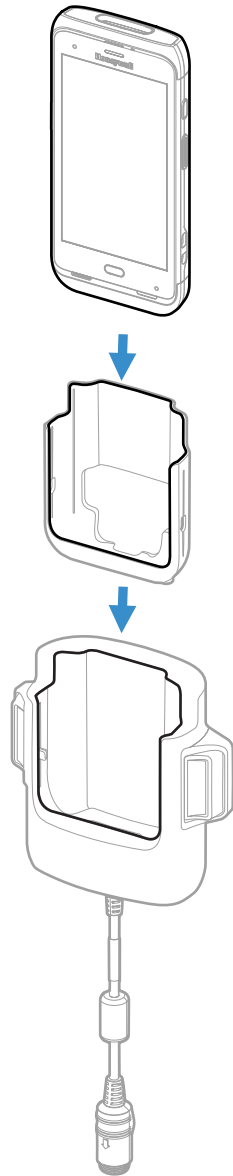
1. Connect the vehicle dock power cable to the power adapter cable and screw the two cables together.
2. Plug the power adapter into the power port on the vehicle.



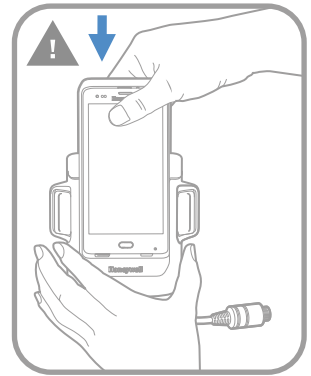
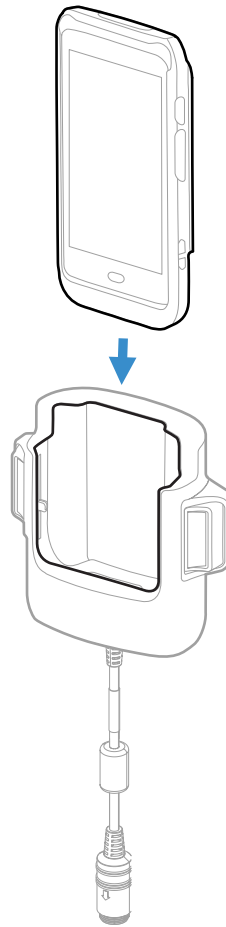
# Charge the Battery Pack

1. If your computer does not have a boot attached, insert the adapter into the dock.
2. Pushing down firmly, insert the computer with battery installed into the vehicle dock until the latches click.

**CT40/CT40XP/  
CT45/CT45XP  
without  
protective boot**



**CT40/CT40XP/  
CT45/CT45XP  
with protective  
boot**





# Mount the Vehicle Dock

You can mount the dock to your vehicle with a RAM mount (sold separately).

Mounting hardware required:

- RAM mount
- Appropriate screws and nuts.

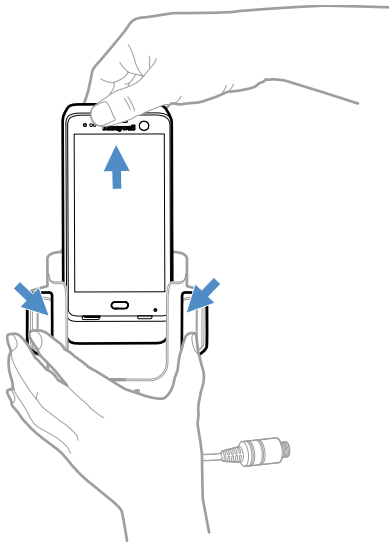
# About the Phone

When the computer receives or makes a call, audio will transfer to the computer speaker.

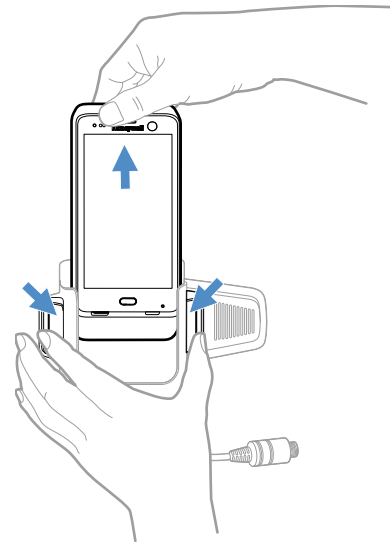
# Remove Computer from Vehicle Dock

- Press both release latches then lift the computer out of the dock.

CT40-VD-CNV/CT45-VD-CNV



CT45-VD-CNV-SPK



**Note:** After removing a computer from a CT45-VD-CNV-SPK vehicle dock, wait at least 5 seconds before reinserting it. This pause will allow time for audio to transfer from the computer speaker back to the dock speaker.

# About Near Field Communication (NFC)

NFC technology provides the ability for short-range, wireless data transfer between the Vehicle Dock and NFC tags or other NFC enabled devices placed in close proximity to the back of the dock. To connect the computer to the Vehicle Dock through NFC, see [Honeywell OBD Connector](#) below.

The NFC in the vehicle dock can store the Bluetooth MAC address of the vehicle's On Board Diagnostics System (OBD) Bluetooth dongle. When the computer is placed in the vehicle dock, the Bluetooth MAC address is transferred via NFC, and the computer will pair to the OBD Bluetooth dongle.

## Honeywell OBD Connector

To write, erase, or update the NFC connection between the computer and the Vehicle Dock, use the Honeywell OBD Connector app. This app does not receive any data from the OBD adapter.

1. Insert the computer into the vehicle dock until the latches click.
2. Swipe up from the bottom of the Home screen to access all apps.
3. Tap **Power Tools > OBDQuickLink**.
4. Available OBD Devices are listed. If you do not see the vehicle dock listed, tap **Re-Scan**.
5. Select the vehicle dock OBD device and tap **Write to NFC**.
6. The computer is now connected to the vehicle dock.



Honeywell  
855 S. Mint Street  
Charlotte, NC 28202

[sps.honeywell.com](https://sps.honeywell.com)